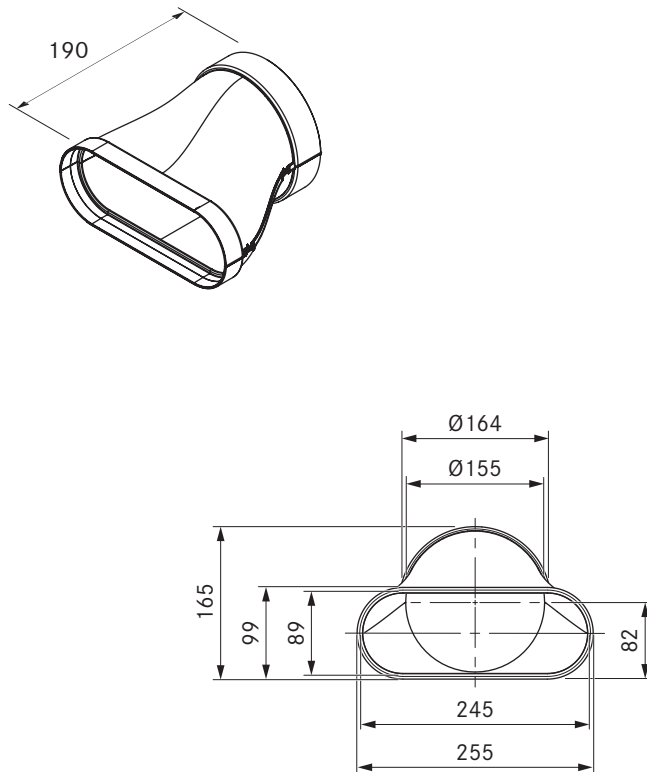


## EFRG/1

Ecotube bridge flat round straight incl. sealing material



### Technical data

Dimensions (width x depth x height)	255 x 190 x 165 mm
Weight	0.3 kg
Material property	B according to DIN EN 13501-1

### Scope of delivery

- 1 x flat seal EFD
- 1 x round seal ERD

### Accessories

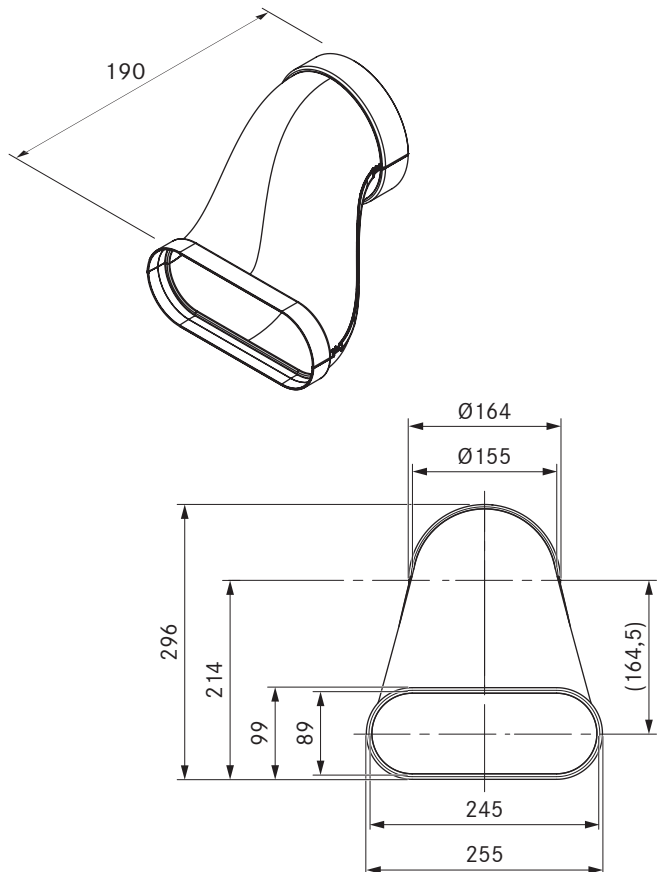
- EFMS/ERMS mounting bracket set

### Product- and planning instructions

- Moulded part with a shallow sleeve form
- Moulded part with a round sleeve form

## EFRV/1

Ecotube bridge flat round offset incl. sealing material



### Technical data

Dimensions (width x depth x height)	255 x 190 x 296 mm
Weight	0.35 kg
Material property	B according to DIN 13501-1

### Scope of delivery

- 1 x flat seal EFD
- 1 x round seal ERD

### Accessories

- EFMS/ERMS mounting bracket set

### Product- and planning instructions

- Moulded part with a shallow sleeve form
- Moulded part with a round sleeve form