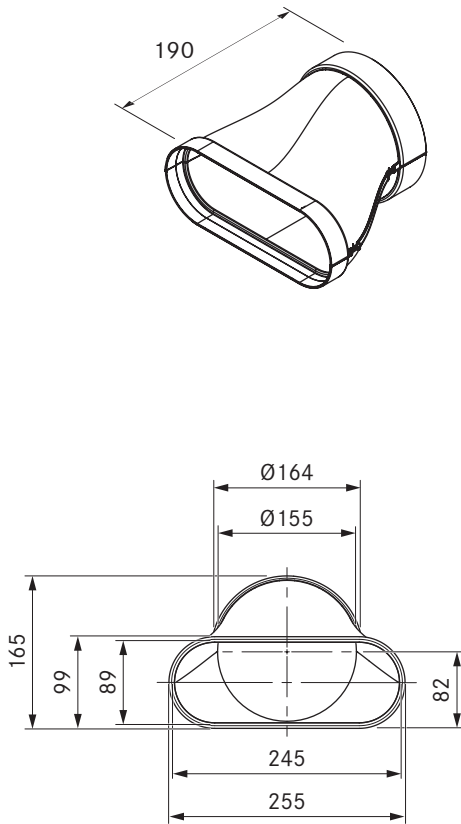


# EFRG/1

BORA Ecotube bridge flat round straight incl. sealing material



## technical data

Dimensions (WxDxH)	255 x 190 x 165 mm
Weight	0.3 kg
Material property	B1 according to DIN 4102-1

## Product description

- Optimal extraction performance with the lowest possible noise level
- own duct system
- Full flexibility in the exhaust ducting
- 100% tight without additional taping
- Polished inner walls and oval cross section
- Including required Ecotube seals
- Complete BORA system

## Scope of delivery

- 1 x flat seal EFD
- 1 x round seal ERD

## Accessories

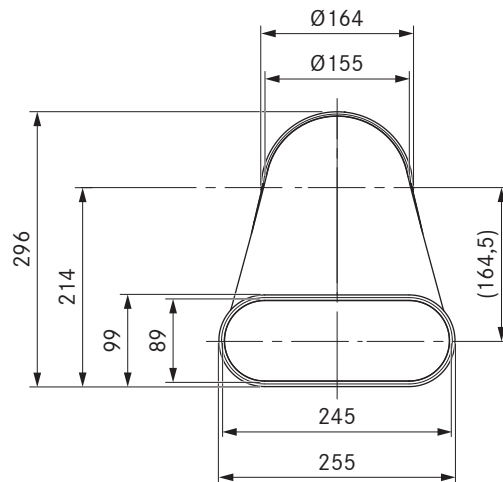
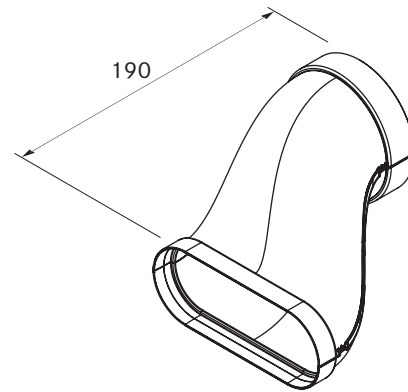
- EFMS/ERMS mounting bracket set

## product- and planning instructions

- Moulded part with a shallow sleeve form
- Moulded part with a round sleeve form

# EFRV/1

BORA Ecotube bridge flat round offset incl. sealing material



## technical data

Dimensions (WxDxH)	255 x 190 x 296 mm
Weight	0.35 kg
Material property	B1 according to DIN 4102-1

## Product description

- Optimal extraction performance with the lowest possible noise level
- own duct system
- Full flexibility in the exhaust ducting
- 100% tight without additional taping
- Polished inner walls and oval cross section
- Including required Ecotube seals
- Complete BORA system

## Scope of delivery

- 1 x flat seal EFD
- 1 x round seal ERD

## Accessories

- EFMS/ERMS mounting bracket set

## product- and planning instructions

- Moulded part with a shallow sleeve form
- Moulded part with a round sleeve form